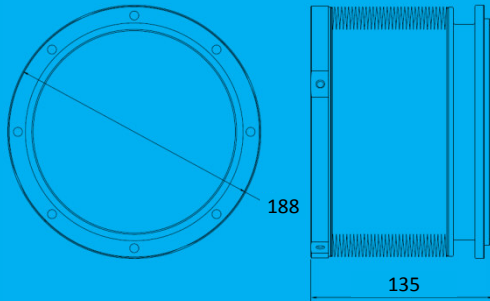
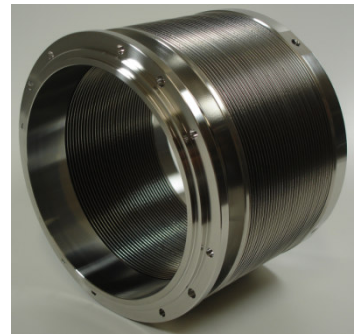


SPECIFICATIONS

- **NON-MAGNETIC / VACUUM**
Non-magnetic, UHV-compatible Stainless Steel alloy, with excellent damping properties.
- **MODULARITY**
Fully integrated with cryostats from Leiden Cryogenics (CF200-1400, CF-CS81 series). No adjustments necessary, direct installation is possible.
- **LOWER VIBRATION LEVEL**
Highly flexible Edge Welded Bellow design, to achieve maximum decoupling of Pulse Tube Refrigerator vibrations.
- **WEIGHT**
3,4 [kg] or 7.5 [lbs]
- **DIMENSIONS**
As shown in [mm]

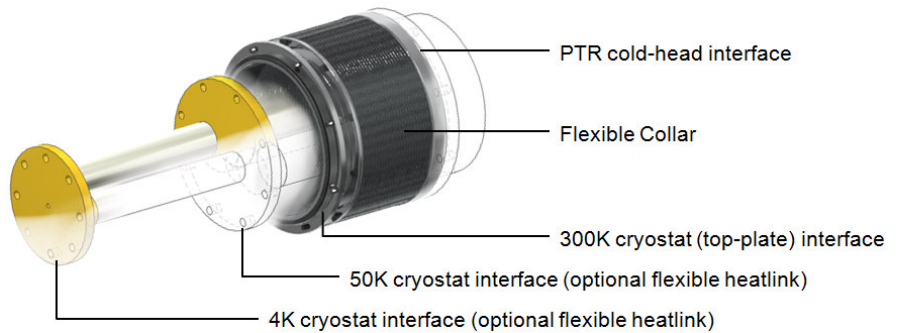


FPTC - Flexible Pulse Tube Collar



LSI B.V. has decreased the vibration levels in a cryostat by 'decoupling' the Pulse Tube Refrigerator (PTR) from the cryostat, while maintaining the thermal (cooling) and vacuum functionalities of both these systems.

This 'decoupling' of the PTR can be done at two strategic places. The interface between the cold-head of the PTR and the top-plate of the cryostat, also called the 'collar', is one of them. This sturdy and stiff collar can be replaced by a very flexible Edge Welded Bellow design, so that the PTR vibrations are strongly damped.



LSI B.V. has developed the 'Flexible Pulse Tube Collar' in such a way that no adjustments to the cryostat or PTR cold-head interfaces are necessary. Direct installation on the CF200-1400 and the CF-CS81 cryostat series from Leiden Cryogenics is possible!

Included:

- Flexible Pulse Tube Collar (UHV leak tested)
- Viton o-ring seals, Stainless Steel (AISI304) fasteners and bolts

Besides the Flexible Pulse Tube Collar, it is strongly recommended to also install the Flexible Heatlinks from LSI B.V. By doing this, the maximum mechanical decoupling of the PTR is achieved and both strategic places for the reduction and damping of the PTR vibrations are covered.